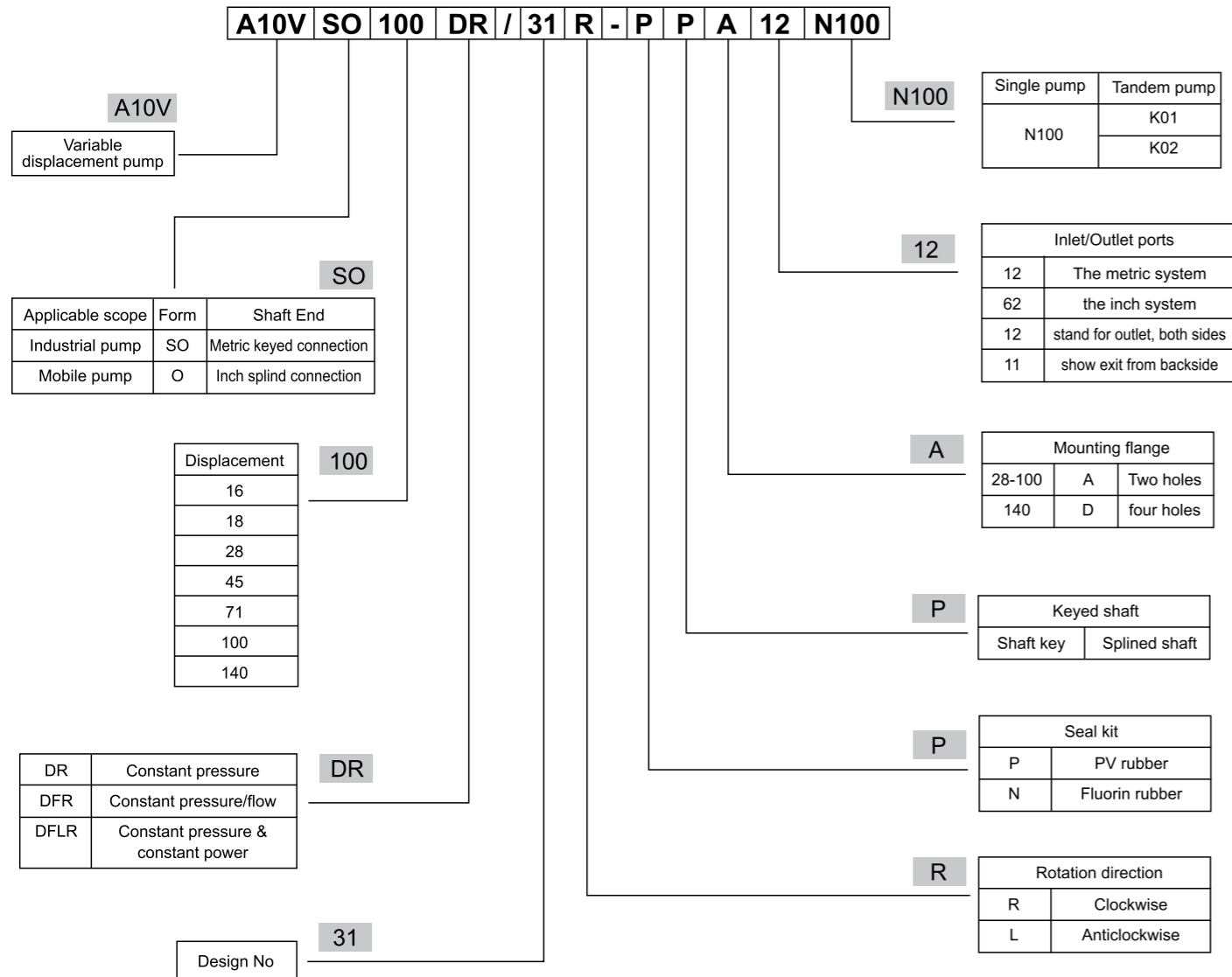
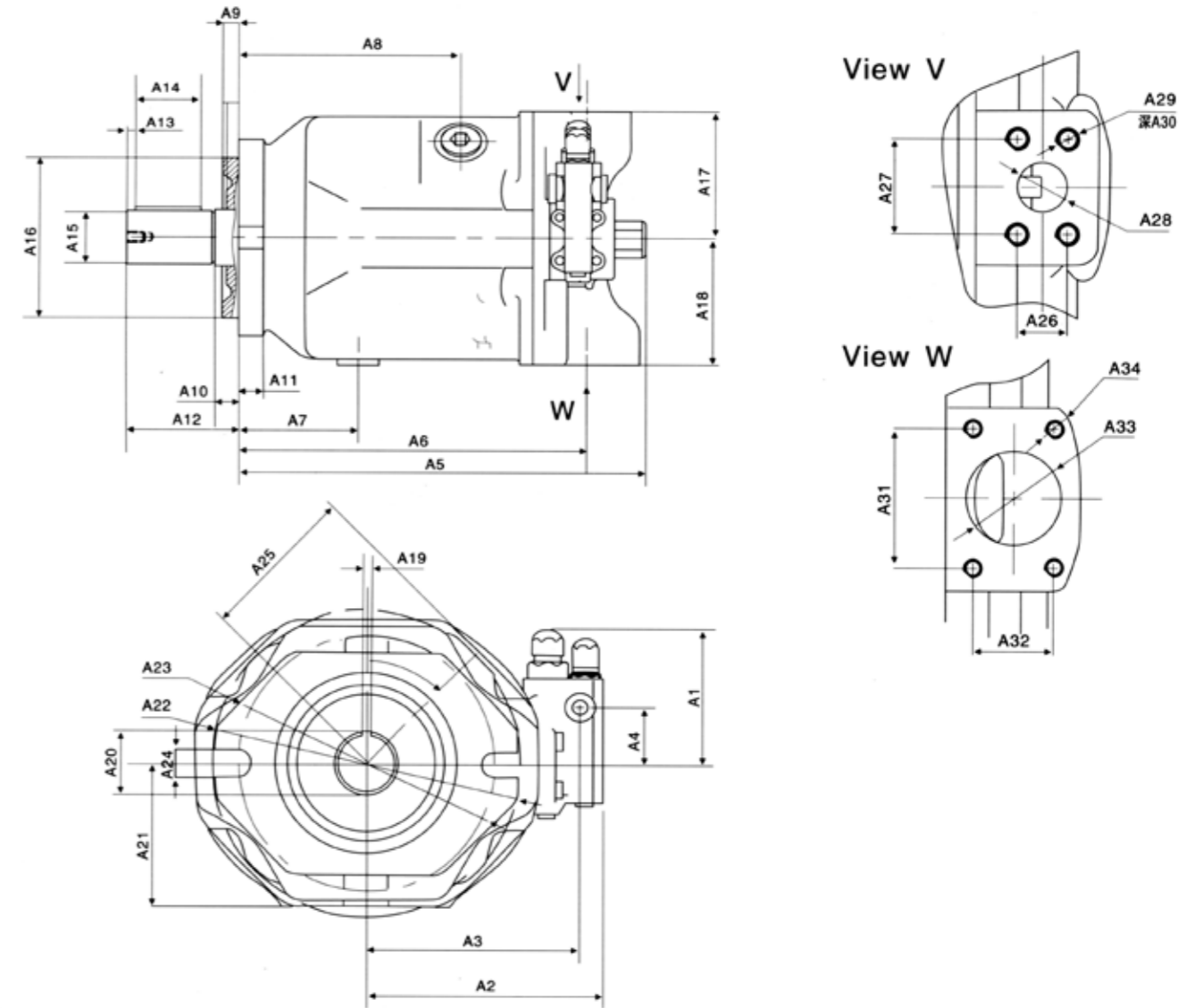


Model code



Demension



1. A10VSO IS Of swash plate design axial variable piston pump used in open hydraulic circuit, many types are available

- ◆ Flange connection ARE inch system SAE-UC or DIN metric system
- ◆ Two drain ports
- ◆ The high speed allowed
- ◆ Nice capability of sucking oi
- ◆ Low noises
- ◆ High power/weight ratio
- ◆ Long service life
- ◆ Short control time
- ◆ Drive shaft be capable to support axial and radial load
- ◆ Wide control range
- ◆ For the match of direct-axial and more circuit system

公称规格	A1	A2	A3	A4	A5	A6	A7	A8	A9	A10	A11	A12	A13	A14	A15	A16	A17
16/18	104.5	125.5	119	40	195	145	43	83	6.3	8	11.5	26	2	25	18	82.5	63
28	105	135.5	119	40	206	164.5	40	90	9	10	13	46	2	32	22	100	80
45	105	145.5	129	40	224	184	45	96	9	10	13	52	3	36	25	100	90
71	105	159.5	143	40	257	217	53	115	9	10	20	60	2.5	45	32	125	104
100	105	164.5	148	40	326	275	95	175	9	10	17	80	1.5	68	40	125	100
140	105	209	183	40	337	275	78	173	9	10	21	92	1.5	80	45	180	110
公称规格	A18	A19	A20	A21	A22	A23	A24	A25	A26	A27	A28	A29	A30	A30	A32	A33	A34
16/18	63	6	20.5	68		109	11	66	22.2	47.6	20	3/8'	20	52.4	26.2	25	3/8
28	80	6	24.5	75	174	140	14	74	22.2	47.6	20	M10	17	58.7	30.2	32	M10
45	90	8	28	81	177	140	14	83	26.2	52.4	25	M10	17	69.9	35.7	40	M12
71	104	10	35	92	210	180	18	98	30.2	58.7	25	M10	20	77.8	42.9	50	M12
100	100	12	43	95		180	17.5	106	31.8	66.7	32	M14	19	88.9	50.8	61	M12
140	110	14	48.5	108		224	18	118.5	31.8	66.7	32	M14	20	88.9	50.8	63	M12