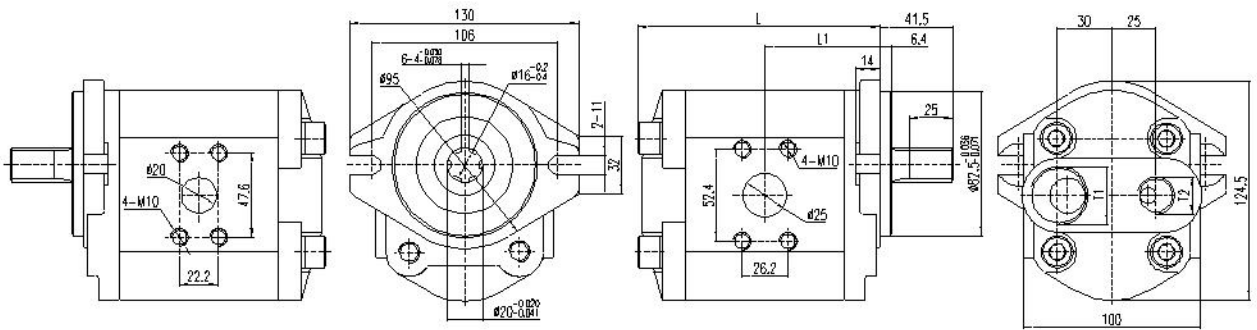




2.5PF **F34H02*

SPECIFICATION—性能参数

MODEL 型号	DISPLACEMENT 排量 (ml/r)	PRESSUR压力 (MPa)		SPEED/转速 (r/min)			L (mm)	L1 (mm)	T1	T2
		RATED 额定	MAX 最高	RATED 额定	MAX 最高	Min 最低				
2.5PF10F34H02*	10	20	25	2500	3000	500	114	54	M22X1.5	M18X1.5
2.5PF16F34H02*	16	20	25	2500	3000	500	120	57		
2.5PF20F34H02*	20	20	25	2500	3000	500	125	60		
2.5PF25F34H02*	25	20	25	2500	3000	500	130	62	M33X2	M27X2
2.5PF27F34H02*	27	20	25	2500	3000	500	132	63		
2.5PF30F34H02*	30	20	25	2500	3000	500	137	65		
2.5PF32F34H02*	32	20	25	2500	3000	500	139	66		
2.5PF36F34H02*	36	20	25	2500	3000	500	144	68		
2.5PF40F34H02*	40	20	25	2500	3000	500	148	70		



MODEL INSTRUCTION

2.5	P	F	**	F34	H02	/L
group number	function code	pressure level code	Displacement	Inlet/outlet combination	shaft extension combination	rotate direction
2.5: 2.5group	P: Gear pump	F:16~25 Mpa	reference above table	F34, etc reference accessory 1	H02, etc reference accessory 2	L-left rotate omit-right rotate

型号说明

2.5	P	F	**	F34	H02	/L
1.5: 1.5组	P: 齿轮泵	F:16~25 Mpa	参见上表	F34等等 参见附录1	H02等等 参见附录2	L-左旋 不标注-右旋