

Model Code

(F3) - PC - S25VQ - 21 - 10 R

1 2 3 4 5 6

1.F3 -Viton seals

Omit if not required

2.Cartridge kit mark

PC-Cartridge kit of single pump and double pump shaft end

PCT-Cartridge kits of double pump cover end

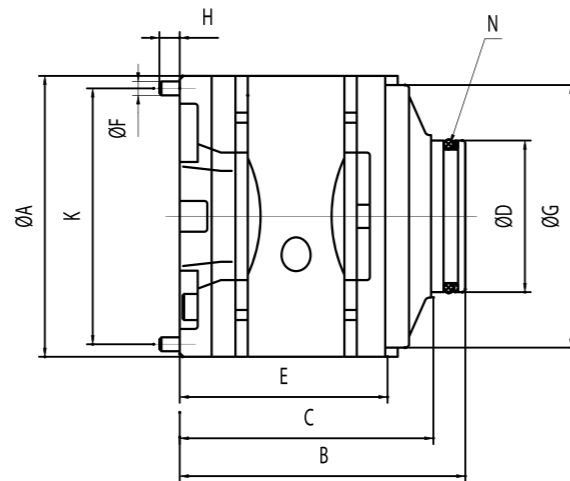
3.Series designation

Installation dimensions

4.Flow code
S20VQ: 5、8、9、11、12、14. S35VQ: 25、30、35、38.
S25VQ: 12、14、17、21. S45VQ: 42、50、60.

5.Design number

6.Rotation
(Viewed from smalled end)
R-Right hand for clockwise,omit
L-Left hand for counterclockwise



Series	ØA	B	C	ØD	E	ØF	ØG	H	K	M(Gasket)	N (O-Ring)
S20VQ	82.5	81.5	70.1	47	61.5	4.8	76.2	7	73.6	82.76*72.26*3.5	40*3.5
S25VQ	96.8	98.8	87	52.2	71.2	4.8	90.5	7	88.19	97*91*3.5	44*3.5
S35VQ	114.3	117.7	105	72.2	90.3	6.4	108	7	103.94	114.5*108.5*3.5	63.09*3.53
S45VQ	133.35	141.1	129.6	80.2	105.5	6.4	127	8	123.8	133.6*127.6*3.5	71*3.55

Series	Inside spline tooth outline parameter of rotor				
	Number of leeth	Pitch	Pressure angle	Major diameter	Minor diameter
S20VQ	30	48/96	45°	16.617	15.56
S25VQ	40	48/96	45°	21.9	20.86
S35VQ	37	40/80	45°	24.38	23.10
S45VQ	14	12/24	30°	32.59	27.60

F - 08 - A

1 2 3

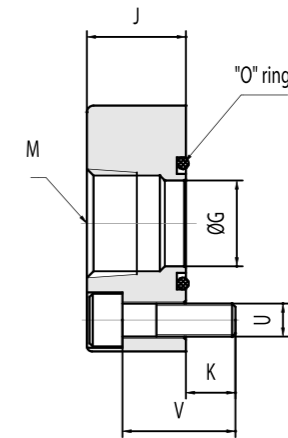
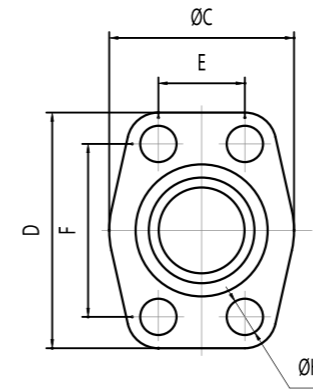
1.F-Flange

2.08-Size code

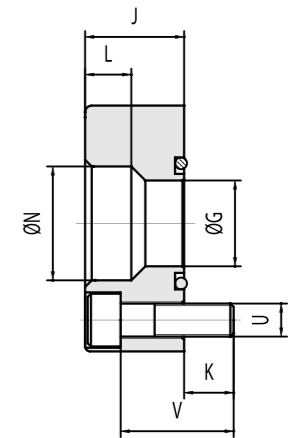
3.A-Type of connection pipe

A-Thread connection

B-Pipe socket welding



F-7-A



F-7-B

Type	Pipe size	Dimension (mm)											Bolt		"O" ring GB3452.1-82
		C	D	E	F	G	H	J	K	L	M	N	U	V(mm)	
F-06-A	3/4"	48	67	22.2	46.7	19.1	11	28	14	-	3/4"	-	3/8"-16UNC	31.8	30x2.65
F-06-B										12	-	27.7			
F-08-A	1"	55	75	26.2	52.4	25.4	11	28	14	-	1"	-	3/8"-16UNC	31.8	35.5x2.65
F-08-B										14	-	34.5			
F-10-A	1 1/4"	64	83	30.2	58.7	31.8	12.5	30	19	-	1 1/4"	-	7/16"-14UNC	38.1	40x2.65
F-10-B										18	-	43.2			
F-12-A	1 1/2"	72	98	35.7	69.9	38.1	14	30	21	-	1 1/2"	-	1/2"-13UNC	38.1	50x3.55
F-12-B										18	-	49.1			
F-16-A	2"	85	102	42.9	77.8	50.8	14	30	21	-	2"	-	1/2"-13UNC	38.1	650x3.55
F-16-B										20	-	61.1			
F-20-A	2 1/2"	102	116	50.8	88.9	63.5	14	38	19	-	2 1/2"	-	1/2"-13UNC	44.5	75x3.55
F-20-B										22	-	77.1			
F-24-A	3"	116	135	62	106.4	76.2	17.5	45	22	-	3"	-	5/8"-11UNC	50.8	85x3.55
F-24-B										25	-	90			
F-28-A	3 1/2"	134	153	69.9	120.6	88.9	17.5	38	23	-	3 1/2"	-	5/8"-11UNC	44.5	100x3.55
F-28-B										50	17	28			
F-32-A	4"	150	162	77.8	130.2	101.6	17.5	38	23	-	4"	-	5/8"-11UNC	44.5	115x3.55
F-32-B										50	17	28			

Caterpillar Part Number	Description	Caterpillar Part Number	Description
1U2664	Cartridge Kit	1U2667	Cartridge Kit
1U2665	Cartridge Kit	1U2669	Cartridge Kit
3G2720	Cartridge Kit	1U3953	Cartridge Kit
3G2721	Cartridge Kit	3G1266	Cartridge Kit
3G2722	Cartridge Kit	3G1267	Cartridge Kit
3G2723	Cartridge Kit	3G1268	Cartridge Kit
3G2749	Cartridge Kit	3G1269	Cartridge Kit
3G2750	Cartridge Kit	3G1270	Cartridge Kit
3G2751	Cartridge Kit	3G1271	Cartridge Kit
3G7658	Cartridge Kit	3G2238	Cartridge Kit
4T3196	Cartridge Kit	3G2746	Cartridge Kit
7J0580	Cartridge Kit	3G2832	Cartridge Kit
7J7963	Cartridge Kit	3G2833	Cartridge Kit
7J7966	Cartridge Kit	3G2834	Cartridge Kit
7J7967	Cartridge Kit	3G2835	Cartridge Kit
1U2652	Cartridge Kit	3G2836	Cartridge Kit
1U2666	Cartridge Kit	4T1893	Cartridge Kit
1U2668	Cartridge Kit	7J0565	Cartridge Kit
1U3519	Cartridge Kit	7J0566	Cartridge Kit
1U3952	Cartridge Kit	7J0570	Cartridge Kit
3G2194	Cartridge Kit	7J0572	Cartridge Kit
3G2195	Cartridge Kit	9J7890	Cartridge Kit
3G2196	Cartridge Kit	1U2670	Cartridge Kit
3G2197	Cartridge Kit	1U2671	Cartridge Kit
3G2198	Cartridge Kit	3G2233	Cartridge Kit
3G2199	Cartridge Kit	3G2234	Cartridge Kit
3G2200	Cartridge Kit	3G2235	Cartridge Kit
3G2717	Cartridge Kit	3G2236	Cartridge Kit
3G2718	Cartridge Kit	3G2237	Cartridge Kit
3G2752	Cartridge Kit	3G2239	Cartridge Kit
3G2801	Cartridge Kit	3G2747	Cartridge Kit
3G2802	Cartridge Kit	3G2748	Cartridge Kit
3G2803	Cartridge Kit	3G2889	Cartridge Kit
3G2804	Cartridge Kit	3G7656	Cartridge Kit
3G7662	Cartridge Kit	4T0422	Cartridge Kit
4T0417	Cartridge Kit	5J4502	Cartridge Kit
4T2626	Cartridge Kit	5J5924	Cartridge Kit
7J0554	Cartridge Kit	5J7517	Cartridge Kit
7J0558	Cartridge Kit	5J8764	Cartridge Kit
7J0559	Cartridge Kit	5J9852	Cartridge Kit
7J0561	Cartridge Kit	6J1101	Cartridge Kit
7J0562	Cartridge Kit	6J1534	Cartridge Kit
7J0563	Cartridge Kit	7J1780	Cartridge Kit
7J1397	Cartridge Kit	3G2837	Cartridge Kit
9J7892	Cartridge Kit	9J7891	Cartridge Kit
541288	Vane Pump	9J5050	Vane Pump

Caterpillar Part Number	Description	Caterpillar Part Number	Description
541304	Vane Pump	8J0182	Vane Pump
658970	Vane Pump	0H7254	Vane Pump
540426	Vane Pump	9J5054	Vane Pump
2P6961	Vane Pump	3K0538	Vane Pump
4J4709	Vane Pump	3K9549	Vane Pump
9J5044	Vane Pump	5J5910	Vane Pump
9J5075	Vane Pump	5J8798	Vane Pump
9J8183	Vane Pump	7J9594	Vane Pump
649838	Vane Pump	7J9595	Vane Pump
649893	Vane Pump	8J6178	Vane Pump
657894	Vane Pump	9J5645	Vane Pump
0H8197	Vane Pump	680399	Vane Pump
7J6230	Vane Pump	6J6320	Vane Pump
7J6730	Vane Pump	649893	Vane Pump
8J9997	Vane Pump	649938	Vane Pump
7J4748	Vane Pump	657894	Vane Pump